

## BBS1200 COMPACT BLACKBODY CALIBRATION SOURCE

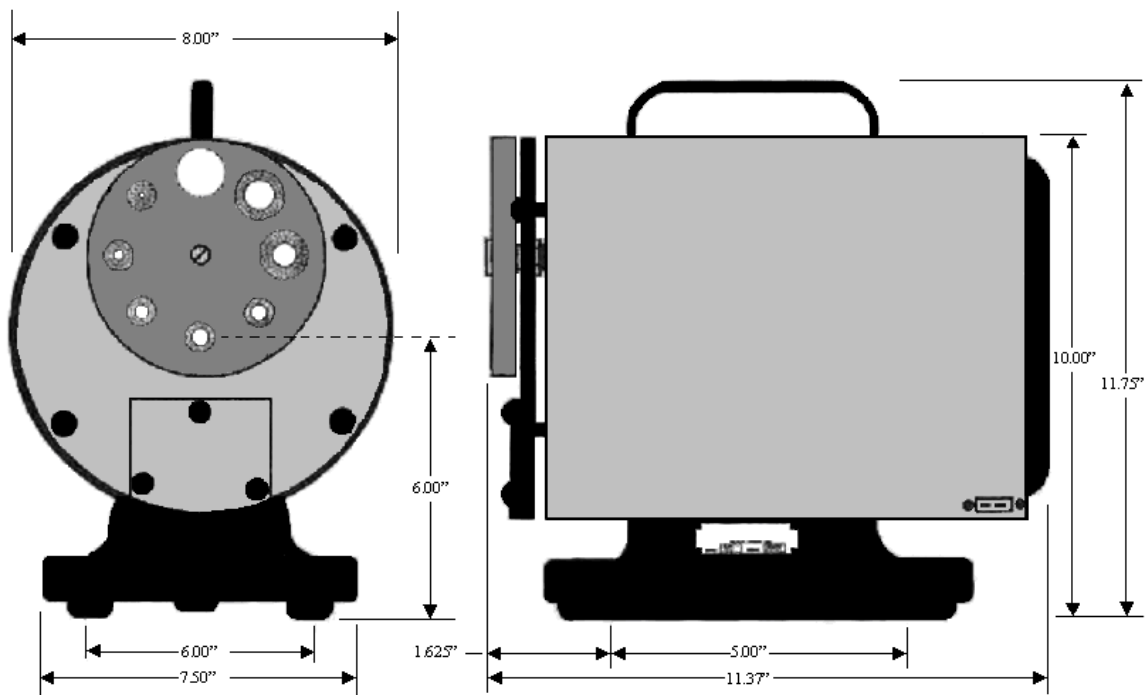
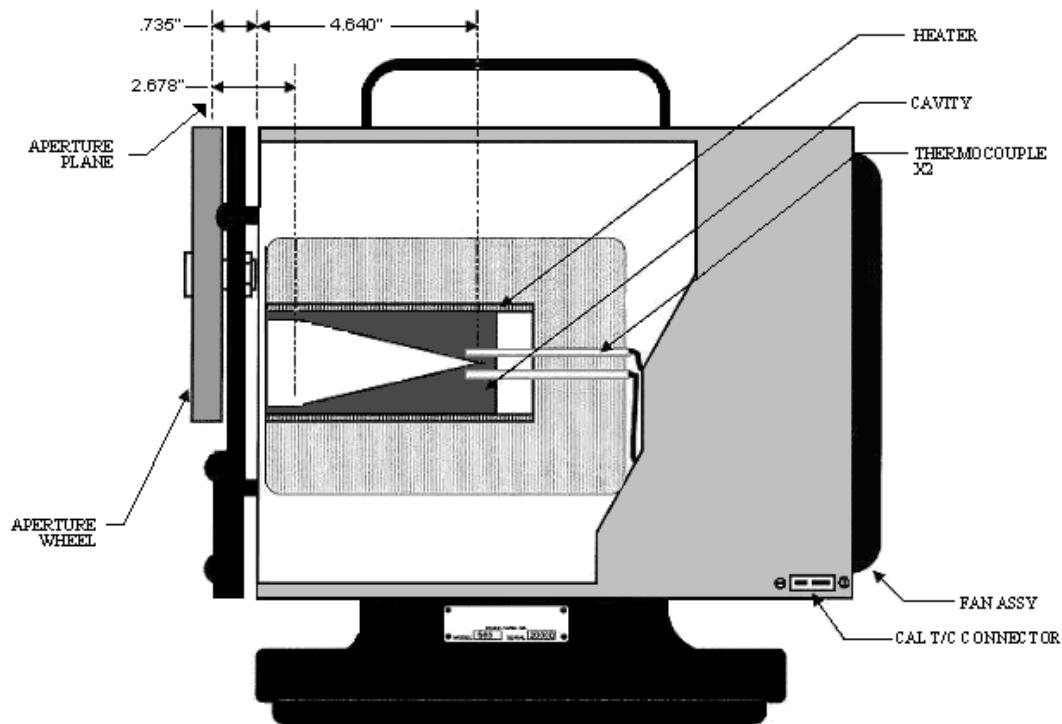


**1.0"**  
**1200 °C**

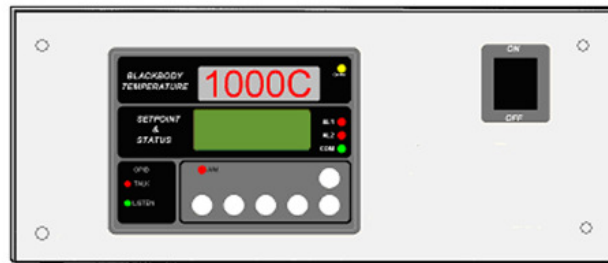
### Model: BBS1200 Compact

Temperature Range:	50° to 1200 °C (122° to 2192 °F)
Accuracy:	+/- 0.2 C to NIST Standard
Temperature Resolution:	0.1 °C
Stability Short/Long-Term:	+/- 0.1 C (+/- 0.2C)
Variable Aperture Sizes (8):	1", 0.6", 0.4, 0.2, 0.1, 0.125, .050 & .025"
Emissivity:	> 0.99
Cavity:	Silicon Carbide Target Tube
Heat-Up Time:	100 to 1200 °C (212° to 2192 °F) < 70 Minutes
Temperature Sensors:	Embedded 0.01% Matched Type S
Method of Control:	Digital Self-Tuning PID Controller
Operating Temperature:	0° to 50 °C (32° to 122 °F), Cooling: Fan Cooled
Serial Communication:	RS232, RS485, or IEEE-488/GPIB ( <b>Optional</b> )
Cable Length:	8 feet (2.4 m)
Power Requirement:	90 to 125VAC or 208 to 240VAC (must select one) 50/60Hz, 800 W maximum
Power Cord:	6 foot (1.82m)
Source Dimensions:	11.75" H x 11.4" D x 8" W (298 x 289 x 203mm)
Controller Dimensions:	5.1"H x 13.4"D x 12"W (130 x 340 x 304mm)
BBS1200 Source Weight:	17 lbs. (7.71 kg)
Controller Case Weight:	9 lbs. (4.08 kg)

**Blackbody Source Dimensions:**

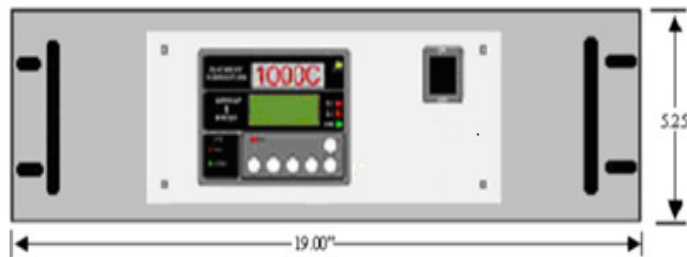
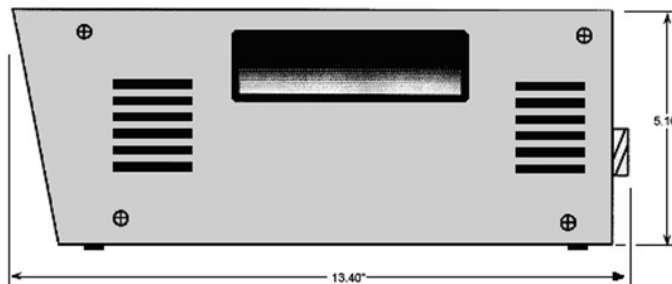


**Controller Enclosure Dimensions:**



12.00"

**Bench Top design**



**19" Rack Mount design**

